

4

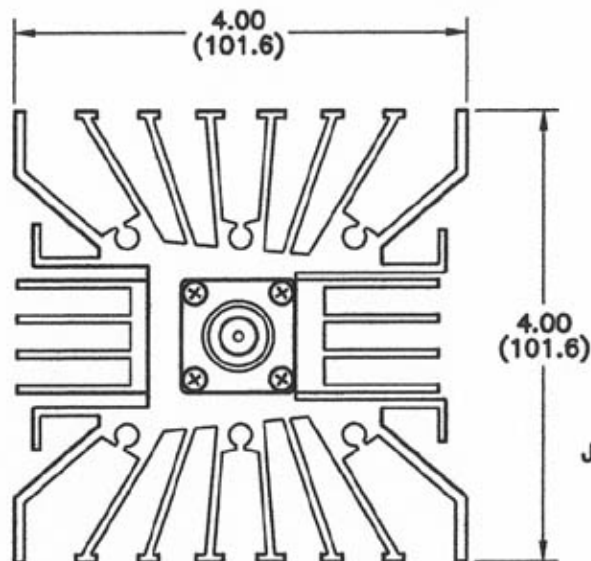
3

2

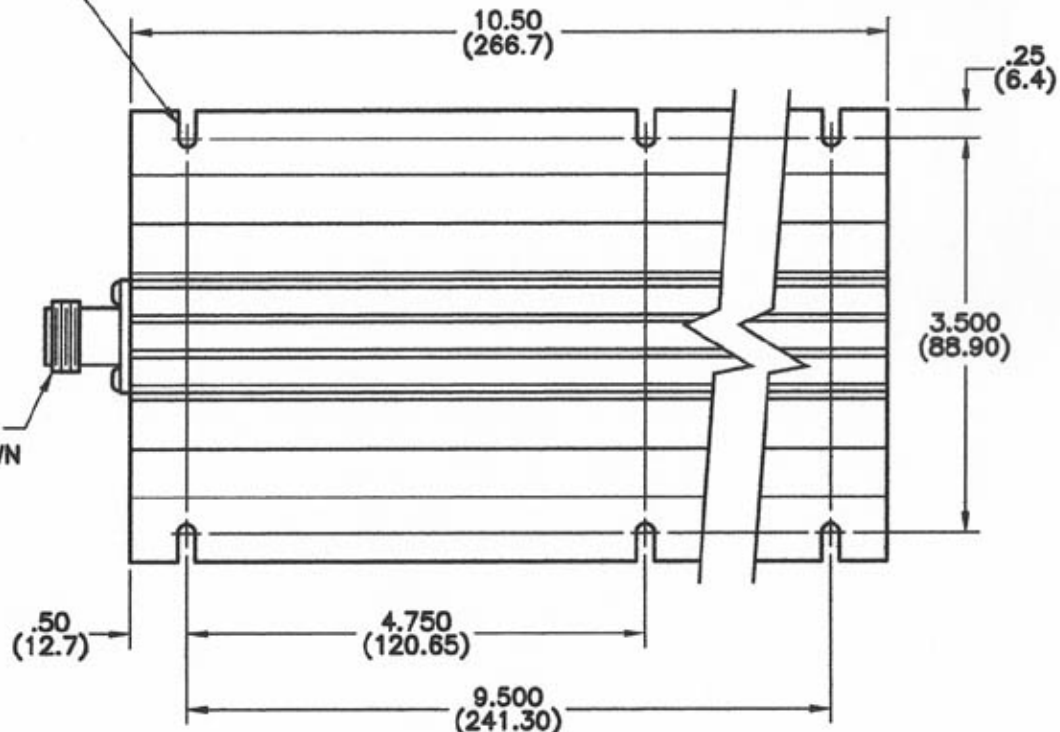
1

REVISIONS				
REV	ZONE	DESCRIPTION	DATE	BY ECO

.156(3.96) WIDE SLOT  
6 PLACES, TOP & BOTTOM



TYPE N  
JACK SHOWN



### SPECIFICATIONS

FREQUENCY RANGE - DC TO 6.0 GHz

IMPEDANCE - 50 OHMS

VSWR (DC - 2.0 GHz) - 1.20:1

(2.0 - 4.0 GHz) - 1.28:1

(4.0 - 6.0 GHz) - 1.30:1

INPUT POWER (AVG.) - 300 WATTS

(PEAK) - 2000 WATTS

OPERATING TEMPERATURE - -55°C TO +125°C

CONNECTOR TYPES - TYPE N, TNC, 7/16 DIN, PLUG OR JACK  
(TYPE N JACK SHOWN)

WEIGHT - ~ 6.5 lbs

DIMENSIONS: INCHES  
(MILLIMETERS)

TOLERANCES	
DEC.XX ± .05	FRAC ±
XXX ± .010	ANG ±
MATERIAL	

SIGNATURES		DATE
DR	G.V.Cothren	8-29-08
CHK		
APPD		
APPD		

THE INFORMATION CONTAINED IN THIS DOCUMENT IS THE PROPERTY OF MICROWAVE DEVICES, INC. AND IS PROPRIETARY. IT IS NOT TO BE COPIED OR USED FOR ANY PURPOSE OTHER THAN AS INSTRUCTED, IN WRITING, BY MICROWAVE DEVICES, INC.

**MICROWAVE DEVICES**  
(RF and Microwave Components)

**OUTLINE, MODEL 6300X6  
TERMINATION, 300 WATT**

CAGE	SIZE	DRAWING NO.
60674	B	900773
DRAWING SCALE		SHEET 1 OF 1
1:1		

CONTACT: MICROWAVE DEVICES - 1150 N. GRAHAM RD.  
FRANKLIN, IN 46131  
(317) 738-8833

DIMENSIONS ARE IN INCHES UNLESS OTHERWISE SPECIFIED.

4

3

2

1